

AGS-3295

Mini-ITX System Platform w/ Intel H110 Chip
LGA1151 Core i7/i5/i3/Celeron Skylake-S CPU
HDMI/VGA/DP, 2LAN, 8USB, 2COM, DC Input



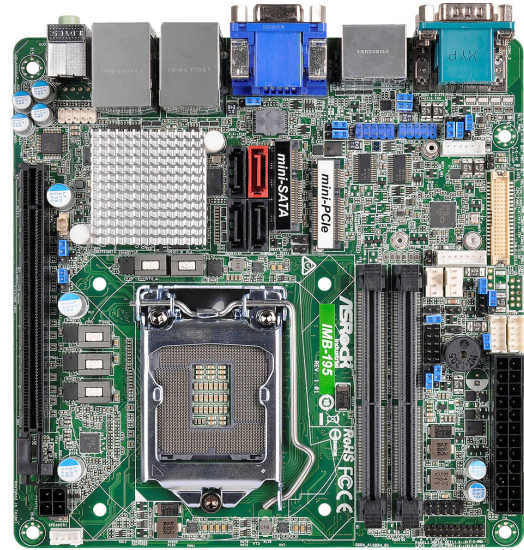
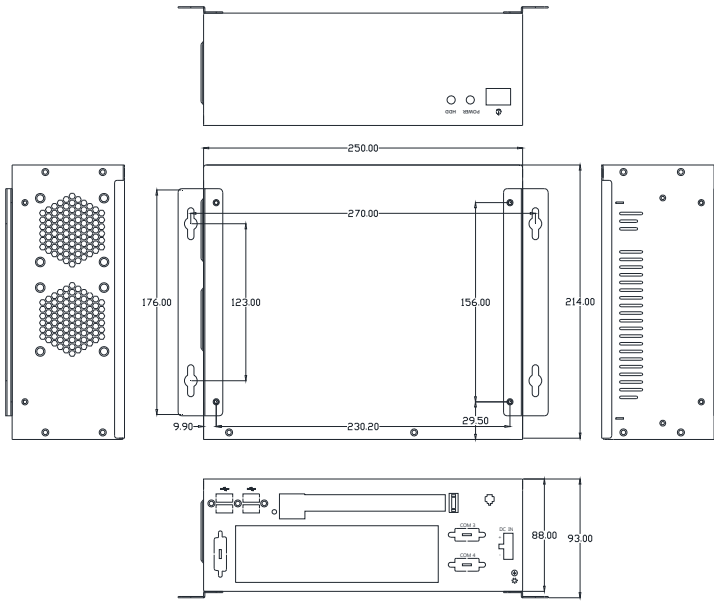
Features

- System is with Intel H110 Chipset, supports Socket LGA1151 Intel Core i7/i5/i3/Celeron Skylake-S Processors
- Multiple display interfaces by HDMI/VGA/DP
- Dual LAN, 1x Intel I219V, 1x Intel I210
- Supports one PCIe16 short add-on card expansion
- 2x COM (COM1 RS-232/422/485, COM2 RS-232)
- Supports removable 2x 2.5" SATA SSD/HDD Mobile Rack in a 3.5" bay by option model AGS-3295R
- Supports DC 12V-24V Input with short circuit protection
- 0°C ~ 60°C harsh operation environment

Specifications

AGS-3295 Series Key Features		AGS-3295-i7-M0-H0-24P	AGS-3295-5E-M0-H0-24P
Processor System	CPU Cores	i7-6700 / 4-Core	i5-6500TE / 4-Core
	Cache / Speed / Max.P.	8MB / 3.4GHz / 65W	6MB / 2.3GHz / 35W
	Chipset	H110	
	BIOS	AMI 16Mb SPI	
Expansion Slot	PCIe x 16	1 x PCIe16 short add-on card	
	Mini-PCIe	1 x half/full-size, support PCIe1	
	mSATA	1 x full-size	
Memory	Specification (SO-DIMM)	2 x Dual Channel DDR4 2133MHz SDRAM	
	Max. Capacity	32 GB	
Graphics(By CPU)	HDMI	Supports HDMI 1.4a, max resolution 4096X2304	
	VGA	Supports resolution up to 1920x1200	
	DP	Supports max resolution up to 4096x2160@60Hz	
Ethernet	Interface Controller	GbE LAN1: Intel I219V , LAN2: Intel I210	
	Connector	2 x RJ-45	
SATA	SATA III	4 x SATAIII	
System Rear I/O	HDMI	1 x HDMI	
	VGA	1 x VGA	
	DP	1 x DP	
	Ethernet	2 x RJ45	
	USB Type-A	4 x USB 3.0, 4 x USB 2.0	
	Audio	1 x Audio ports (Mic-in, Line-out)	
	Serial	2 x DB9 (1x RS-232/422/485, 1x RS-232)	
	DC-IN	1 x DC input by 2-pin phoenix connector	
System Storage	HDD Driver Cadge	1 x HDD internal Cadge for two 2.5" SSD/HDD	
	Expansion Add-on Card	Options	
Optional Features on Rear I/O	Removable 2.5" HDD	1 x 3.5" space driver bay(option by AGS-3295R)	
	COM3/4	COM3/4 (RS-232) by option COM cables	
	2-pin connector	1 x 2-pin connector for customize feature	
System Front Bezel	Power On-Off Switch	1 x Soft switch	
	Power LED	1x LED for system power status	
	HDD LED	1x LED for HDD data access status	
System Power	DC Input by DC-DC Bd.	DC 12V-24V input with short circuit protection	
	Temperature	Operating	None-operating
Environment		0 ~ 60°C (32 ~ 140°F)	-20 ~ 80°C (-4 ~ 176°F)
Physical Size	Dimensions	250mm(W) x 215mm(D) x 88mm(H)	
Packing Size	Dimensions	300mm(W) x 300mm(D) x 190mm(H)	
Weight	N.W. / G.W.	4.0Kg / 4.5Kg	
Certifications	CE (EMC)/FCC	To be available soon	
	CB	N/A	
	UL/CSA	N/A	
	CCC	N/A	
	ROHS	Compliance	

Dimension Drawing



Ordering Information

Part Number	CPU	Chip	HDMI	VGA	DP	GbE	USB3/USB2	DRAM	2.5" SATA SSD/HDD	DC-Input
AGS-3295-i7-M0-H0-24P	i7-6700	H110	1	1	1	2	4/4	N/A	N/A	DC 12V-24V
AGS-3295-5E-M0-H0-24P	i5-6500TE	H110	1	1	1	2	4/4	N/A	N/A	DC 12V-24V
AGS-3295-i7-M8-S28-24P	i7-6700	H110	1	1	1	2	4/4	8GB	1x 2.5" 128GB SSD	DC 12V-24V
AGS-3295-5E-M4-HG5-24P	i5-6500TE	H110	1	1	1	2	4/4	4GB	1x 2.5" 500GB HDD	DC 12V-24V

Optional Items

Part Number	Description
SODIMM-DDR4-4GB	SODIMM DDR4-2133, 4GB
SODIMM-DDR4-8GB	SODIMM DDR4-1333, 8GB
Intel i7-6700	Intel Core i7-6700 Processor, LGA-1151, 4-Core, 8MB SmartCache, 3.4GHz, 65W
Intel i5-6500TE	Intel Core i5-6500TE Processor, LGA-1151, 4-Core, 6MB SmartCache, 2.3 GHz, 35W
SA-SSD-S28	2.5" SATA3 SSD MLC, 128GB
SA-HD-500	2.5" SATA HDD 500GB, 5400RPM
SA-HG-500	2.5" SATA HDD 500GB, 7200RPM for 7x24
SA-HG-1TB	2.5" SATA HDD 1TB, 7200RPM for 7x24
MR-312	2 x 2.5" SATA HDD/SSD Mobile Rack for 3.5" Driver Bay
ECC-01025	CPU cooler for Intel Socket LGA1150/1151 CPU, 80 x 80 x 38(H)mm, low profile cooler
UB-120LN	4 x USB 3.0 PClex1 add-on card
AIS-WM-BK	AIS Chassis Wall Mount Bracket Kits, Black, with Screws (Same design for AIS-3000 and AGS-3000 series)
COM-140-L35	COM cable with 2x5,10-pin 2.0 pitch box header connector and D-SUB9 male for extra COM port, cable length 350mm